

Clamp ferrule

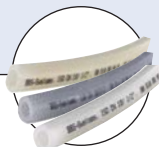


Hygienic Processing components....

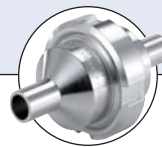
- According to standard norms and dimensions
- All medium contact materials traceable, traceable seal on request
- Component of the BBS modular system



Type BBS-3F
Flow indicator



Type BBS-04
Silicone hose



Type BBS-10
Check valve



Type BBS-03
Sterile threaded connection



Type BBS-05
Quick connect



Type 2103
Diaphragm valve

The BBS-25 Clamp ferrules, gaskets and clamps are compatible with all standard market equipment.

For increased process security we recommend to see our data sheets for the BBS-05 Sterile Quick Connect.

Applications

- Biotechnology
- Pharmaceutical
- Chemical industry
- Dairy
- Food
- Cosmetic

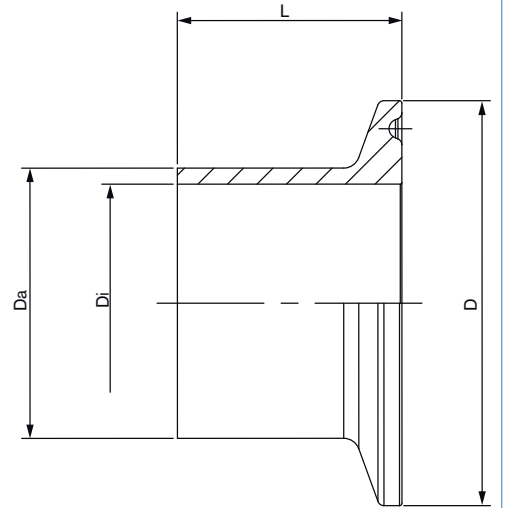
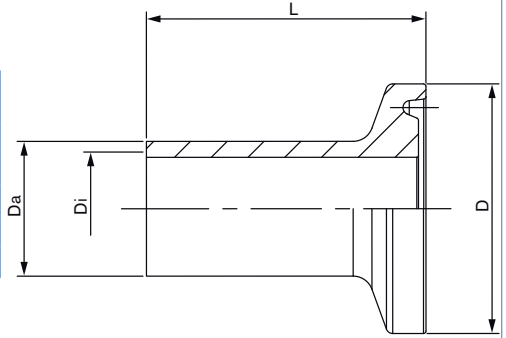
Technical data

| | |
|----------------------------------|---|
| Available standard sizes | ISO DN08 to DN150 DIN DN04 to DIN150 BS-OD DN 1/4" to DN 8" SMS DN 06 to DN100 |
| Material medium contact | Stainless steel 1.4435 BN2 (316L) Special materials e.g. Hastelloy 2.4602, Titanium, 1.4539 etc. on request |
| Material medium separated | 1.4305 or equivalent |
| Seals | O-Ring, EPDM, FEP, special sealing materials e.g. Silicone, pure PTFE etc. on request |
| Surface quality | Medium contacted surface < Ra 0,8µm, electro polished, finer surface on request |
| Ambient temperature | -20 to +80 °C |
| Media | Gases or liquids |
| Operating pressure | ISO DN08 to DN32 = 25bar ISO DN40 to DN65 = 16bar ISO DN80 to DN150 = 10bar DIN DN04 to DN40 = 25bar DIN DN50 to DN65 = 16bar DIN DN80 to DN150 = 10bar BS-OD DN1/4" to DN1 1/2" = 25bar BS-OD DN2" to DN3" = 16bar BS-OD DN4" to DN8" = 10bar SMS DN06 to DN40 = 25bar SMS DN50 to DN65 = 16bar SMS DN80 to DN100 = 10bar |
| Applicable standards | Acc. to DIN 32676 ISO dimensions series B DIN dimensions series A BS-OD dimensions series C (ASME BPE 2009) SMS dimensions SMS 3008 |
| Certifications | Material 3.1, FDA, USP VI |

Dimensions [mm] Clamp ferrule

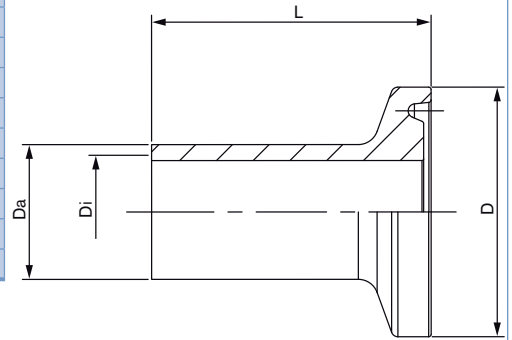
| Orifice | D [mm] | Da [mm] | Di [mm] | L [mm] | Item no. | |
|--|--------|---------|---------|--------|------------------------|-----------|
| ISO Dimensions Clamp ferrule (up to clamp diameter DM 25) | | | | | | |
| DN08 | 25.00 | 13.50 | 10.30 | 28.00 | BBS-25-A1.B08.B00.35.0 | (736 995) |
| DN08 | 25.00 | 13.50 | 10.30 | 21.60 | BBS-25-A0.B08.B00.35.0 | (736 855) |
| DN10 | 25.00 | 17.20 | 14.00 | 28.00 | BBS-25-A1.B10.B00.35.0 | (737 026) |
| DN10 | 25.00 | 17.20 | 14.00 | 21.60 | BBS-25-A0.B10.B00.35.0 | (736 859) |

| Orifice | D [mm] | Da [mm] | Di [mm] | L [mm] | Item no. | |
|---|--------|---------|---------|--------|-------------------------|--------------|
| ISO Dimensions Clamp ferrule (from clamp diameter DM 50.5) | | | | | | |
| DN15 | 50.50 | 21.30 | 18.10 | 28.00 | BBS-25-A1.B15.B00.35.0 | (737 058) |
| DN15 | 50.50 | 21.30 | 18.10 | 21.60 | BBS-25-A0.B15.B00.35.0 | (736 863) |
| DN20 | 50.50 | 26.90 | 23.70 | 28.00 | BBS-25-A1.B20.B00.35.0 | (737 076) |
| DN20 | 50.50 | 26.90 | 23.70 | 21.60 | BBS-25-A0.B20.B00.35.0 | (736 871) |
| DN25 | 50.50 | 33.70 | 29.70 | 28.00 | BBS-25-A1.B25.B00.35.0 | (737 111) |
| DN25 | 50.50 | 33.70 | 29.70 | 21.60 | BBS-25-A0.B25.B00.35.0 | (736 875) |
| DN32 | 64.00 | 42.40 | 38.40 | 28.00 | BBS-25-A1.B32.B00.35.0 | (737 143) |
| DN32 | 64.00 | 42.40 | 38.40 | 21.60 | BBS-25-A0.B32.B00.35.0 | (736 883) |
| DN40 | 64.00 | 48.30 | 44.30 | 28.00 | BBS-25-A1.B40.B00.35.0 | (737 170) |
| DN40 | 64.00 | 48.30 | 44.30 | 21.60 | BBS-25-A0.B40.B00.35.0 | (736 890) |
| DN50 | 77.50 | 60.30 | 56.30 | 28.00 | BBS-25-A1.B50.B00.35.0 | (737 193) |
| DN50 | 77.50 | 60.30 | 56.30 | 21.60 | BBS-25-A0.B50.B00.35.0 | (736 898) |
| DN65 | 91.00 | 76.10 | 72.10 | 28.00 | BBS-25-A1.B65.B00.35.0 | (737 217) |
| DN65 | 91.00 | 76.10 | 72.10 | 21.60 | BBS-25-A0.B65.B00.35.0 | (736 902) |
| DN80 | 106.00 | 88.90 | 84.30 | 28.00 | BBS-25-A1.B80.B00.35.0 | (737 226) |
| DN80 | 106.00 | 88.90 | 84.30 | 21.60 | BBS-25-A0.B80.B00.35.0 | (736 906) |
| DN100 | 130.00 | 88.90 | 84.30 | 28.00 | BBS-25-A1.B100.B00.35.0 | (737 042) |
| DN100 | 130.00 | 114.30 | 109.70 | 21.60 | BBS-25-A0.B100.B00.35.0 | (on request) |
| DN150 | 183.00 | 168.30 | 163.10 | 30.00 | BBS-25-A1.B150.B00.35.0 | (on request) |

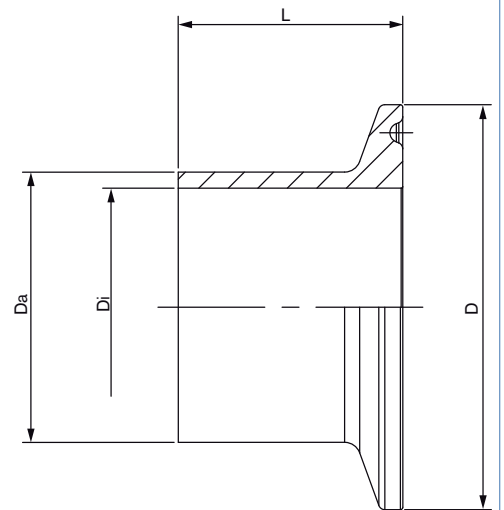


Dimensions [mm] Clamp ferrule

| Orifice | D [mm] | Da [mm] | Di [mm] | L [mm] | Item no. |
|--|--------|---------|---------|--------|---------------------------------------|
| DIN Dimensions Clamp ferrule (up to clamp diameter DM 25) | | | | | |
| DN04 | 25.00 | 6.00 | 4.00 | 28.00 | BBS-25-A1.A04.A00.35.0 (on request) |
| DN04 | 25.00 | 6.00 | 4.00 | 21.60 | BBS-25-A0.A04.A00.35.0 (736 840) |
| DN06 | 25.00 | 8.00 | 6.00 | 28.00 | BBS-25-A1.A06.A00.35.0 (742 809) |
| DN06 | 25.00 | 8.00 | 6.00 | 21.60 | BBS-25-A0.A06.A00.35.0 (736 843) |
| DN08 | 25.00 | 10.00 | 8.00 | 28.00 | BBS-25-A1.A08.A00.35.0 (736 976) |
| DN08 | 25.00 | 10.00 | 8.00 | 21.60 | BBS-25-A0.A08.A00.35.0 (736 847) |
| DN10 | 25.00 | 12.00 | 10.00 | 28.00 | BBS-25-A1.A10.A00.35.0 (736 983) |
| DN10 | 25.00 | 12.00 | 10.00 | 21.60 | BBS-25-A0.A10.A00.35.0 (736 851) |
| DN10 | 25.00 | 13.00 | 10.00 | 28.00 | BBS-25-A1.A10.A00.35.0-1 (743 417) |
| DN10 | 25.00 | 13.00 | 10.00 | 21.60 | BBS-25-A0.A10.A00.35.0-1 (on request) |
| DN15 | 25.00 | 19.00 | 16.00 | 28.00 | BBS-25-A1.A15.SP1.35.0 (on request) |
| DN15 | 25.00 | 19.00 | 16.00 | 21.60 | BBS-25-A0.A15.SP1.35.0 (on request) |

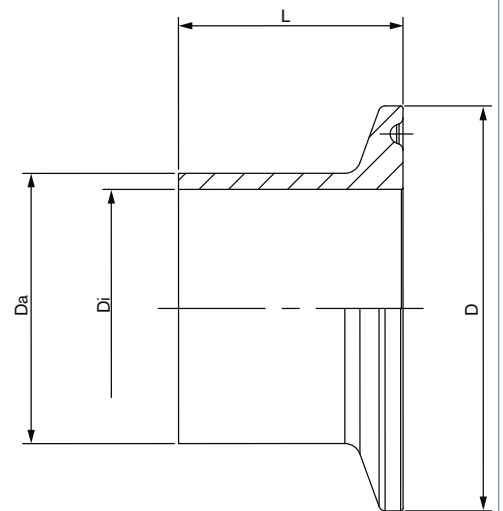
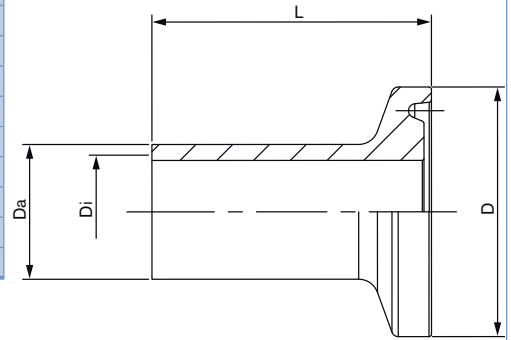


| Orifice | D [mm] | Da [mm] | Di [mm] | L [mm] | Item no. |
|---|--------|---------|---------|--------|--------------------------------------|
| DIN Dimensions Clamp ferrule (from clamp diameter DM 34) | | | | | |
| DN10 | 34.00 | 12.00 | 10.00 | 28.00 | BBS-25-A1.A10.SP3.35.0 (on request) |
| DN10 | 34.00 | 12.00 | 10.00 | 21.60 | BBS-25-A0.A10.SP3.35.0 (on request) |
| DN10 | 34.00 | 13.00 | 10.00 | 28.00 | BBS-25-A1.A10.SP2.35.0 (on request) |
| DN10 | 34.00 | 13.00 | 10.00 | 21.60 | BBS-25-A0.A10.SP2.35.0 (on request) |
| DN15 | 34.00 | 19.00 | 16.00 | 28.00 | BBS-25-A1.A15.SP2.35.0 (743 969) |
| DN15 | 34.00 | 19.00 | 16.00 | 21.60 | BBS-25-A0.A15.SP2.35.0 (on request) |
| DN15 | 50.50 | 19.00 | 16.00 | 28.00 | BBS-25-A1.A15.A00.35.0 (742 808) |
| DN15 | 50.50 | 19.00 | 16.00 | 21.60 | BBS-25-A0.A15.A00.35.0 (on request) |
| DN20 | 34.00 | 23.00 | 20.00 | 28.00 | BBS-25-A1.A20.SP2.35.0 (742 982) |
| DN20 | 34.00 | 23.00 | 20.00 | 21.60 | BBS-25-A0.A20.SP2.35.0 (on request) |
| DN20 | 50.50 | 23.00 | 20.00 | 28.00 | BBS-25-A1.A20.A00.35.0 (737 543) |
| DN20 | 50.50 | 23.00 | 20.00 | 21.60 | BBS-25-A0.A20.A00.35.0 (on request) |
| DN25 | 50.50 | 29.00 | 26.00 | 28.00 | BBS-25-A1.A25.A00.35.0 (742 983) |
| DN25 | 50.50 | 29.00 | 26.00 | 21.60 | BBS-25-A0.A25.A00.35.0 (on request) |
| DN32 | 50.50 | 35.00 | 32.00 | 28.00 | BBS-25-A1.A32.A00.35.0 (743 658) |
| DN32 | 50.50 | 35.00 | 32.00 | 21.60 | BBS-25-A0.A32.A00.35.0 (on request) |
| DN40 | 50.50 | 41.00 | 38.00 | 28.00 | BBS-25-A1.A40.A00.35.0 (742 984) |
| DN40 | 50.50 | 41.00 | 38.00 | 21.60 | BBS-25-A0.A40.A00.35.0 (on request) |
| DN50 | 64.00 | 53.00 | 50.00 | 28.00 | BBS-25-A1.A50.A00.35.0 (736 987) |
| DN50 | 64.00 | 53.00 | 50.00 | 21.60 | BBS-25-A0.A50.A00.35.0 (on request) |
| DN65 | 91.00 | 70.00 | 66.00 | 28.00 | BBS-25-A1.A65.A00.35.0 (on request) |
| DN65 | 91.00 | 70.00 | 66.00 | 21.60 | BBS-25-A0.A65.A00.35.0 (on request) |
| DN80 | 106.00 | 85.00 | 81.00 | 28.00 | BBS-25-A1.A80.A00.35.0 (on request) |
| DN80 | 106.00 | 85.00 | 81.00 | 21.60 | BBS-25-A0.A80.A00.35.0 (on request) |
| DN100 | 119.00 | 104.00 | 100.00 | 28.00 | BBS-25-A1.A100.A00.35.0 (on request) |
| DN100 | 119.00 | 104.00 | 100.00 | 21.60 | BBS-25-A0.A100.A00.35.0 (on request) |
| DN125 | 155.00 | 129.00 | 125.00 | 28.00 | BBS-25-AA.A125.A00.35.0 (on request) |
| DN150 | 183.00 | 154.00 | 150.00 | 30.00 | BBS-25-A1.A150.A00.35.0 (on request) |



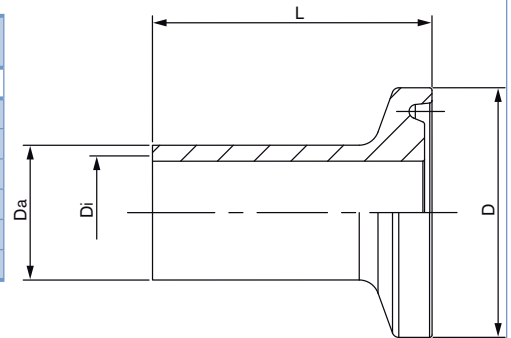
Dimensions [mm] Clamp ferrule

| Orifice | D [mm] | Da [mm] | Di [mm] | L [mm] | Item no. |
|---|--------|---------|---------|--------|-------------------------------------|
| BS-OD Dimensions Clamp ferrule (up to clamp diameter DM 25) | | | | | |
| DN1/4" | 25.00 | 6.35 | 4.57 | 28.00 | BBS-25-A1.C02.C00.35.0 (737 234) |
| DN1/4" | 25.00 | 6.35 | 4.57 | 21.60 | BBS-25-A0.C02.C00.35.0 (on request) |
| DN1/4" | 25.00 | 6.35 | 4.57 | 12.70 | BBS-25-A1.C02.BU2.35.0 (743 049) |
| DN3/8" | 25.00 | 9.53 | 7.75 | 28.00 | BBS-25-A1.C03.C00.35.0 (737 238) |
| DN3/8" | 25.00 | 9.53 | 7.75 | 21.60 | BBS-25-A0.C03.C00.35.0 (736 910) |
| DN3/8" | 25.00 | 9.53 | 7.75 | 12.70 | BBS-25-A1.C03.BU1.35.0 (742 939) |
| DN1/2" | 25.00 | 12.70 | 9.40 | 28.00 | BBS-25-A1.C05.C00.35.0 (737 258) |
| DN1/2" | 25.00 | 12.70 | 9.40 | 21.60 | BBS-25-A0.C05.C00.35.0 (736 914) |
| DN1/2" | 25.00 | 12.70 | 9.40 | 12.70 | BBS-25-A1.C05.BU4.35.0 (742 940) |
| DN3/4" | 25.00 | 19.05 | 15.75 | 28.00 | BBS-25-A1.C07.C00.35.0 (737 292) |
| DN3/4" | 25.00 | 19.05 | 15.75 | 21.60 | BBS-25-A0.C07.C00.35.0 (736 922) |
| DN3/4" | 25.00 | 19.05 | 15.75 | 12.70 | BBS-25-A1.C07.BU3.35.0 (742 941) |
| BS-OD Dimensions Clamp ferrule (from clamp diameter DM 50.5) | | | | | |
| Orifice | D [mm] | Da [mm] | Di [mm] | L [mm] | Item no. |
| DN1" | 50.50 | 25.40 | 22.10 | 28.00 | BBS-25-A1.C10.C00.35.0 (737 315) |
| DN1" | 50.50 | 25.40 | 22.10 | 21.60 | BBS-25-A0.C10.C00.35.0 (736 926) |
| DN1" | 50.50 | 25.40 | 22.10 | 12.70 | BBS-25-A1.C10.BU3.35.0 (742 942) |
| DN1 1/2" | 50.50 | 38.10 | 34.80 | 28.00 | BBS-25-A1.C15.C00.35.0 (737 355) |
| DN1 1/2" | 50.50 | 38.10 | 34.80 | 21.60 | BBS-25-A0.C15.C00.35.0 (736 930) |
| DN1 1/2" | 50.50 | 38.10 | 34.80 | 12.70 | BBS-25-A1.C15.BU2.35.0 (742 943) |
| DN2" | 64.00 | 50.80 | 47.50 | 28.00 | BBS-25-A1.C20.C00.35.0 (737 379) |
| DN2" | 64.00 | 50.80 | 47.50 | 21.60 | BBS-25-A0.C20.B00.35.0 (736 934) |
| DN2" | 64.00 | 50.80 | 47.50 | 12.70 | BBS-25-A1.C20.BU1.35.0 (742 944) |
| DN2 1/2" | 77.50 | 63.50 | 60.20 | 28.00 | BBS-25-A1.C25.C00.35.0 (737 404) |
| DN2 1/2" | 77.50 | 63.50 | 60.20 | 21.60 | BBS-25-A0.C25.C00.35.0 (on request) |
| DN2 1/2" | 77.50 | 63.50 | 60.20 | 12.70 | BBS-25-A1.C25.BU1.35.0 (742 945) |
| DN3" | 91.00 | 76.20 | 72.90 | 28.00 | BBS-25-A1.C30.C00.35.0 (737 412) |
| DN3" | 91.00 | 76.20 | 72.90 | 21.60 | BBS-25-A0.C30.C00.35.0 (on request) |
| DN3" | 91.00 | 76.20 | 72.90 | 12.70 | BBS-25-A1.C30.BU1.35.0 (742 946) |
| DN4" | 119.00 | 101.60 | 97.40 | 28.00 | BBS-25-A1.C40.C00.35.0 (737 429) |
| DN4" | 119.00 | 101.60 | 97.40 | 21.60 | BBS-25-A0.C40.C00.35.0 (on request) |
| DN4" | 119.00 | 101.60 | 97.40 | 15.90 | BBS-25-A1.C40.BU1.35.0 (742 947) |
| DN6" | 167.00 | 152.40 | 146.86 | 28.00 | BBS-25-A1.C60.C00.35.0 (737 433) |
| DN6" | 167.00 | 152.40 | 146.86 | 21.60 | BBS-25-A0.C60.C00.35.0 (736 936) |
| DN6" | 167.00 | 152.40 | 146.86 | 15.90 | (on request) (on request) |
| DN8" | 217.50 | 203.20 | 197.67 | 28.00 | BBS-25-A1.C80.C00.35.0 (737 440) |
| DN8" | 217.50 | 203.20 | 197.67 | 21.60 | BBS-25-A0.C80.C00.35.0 (on request) |

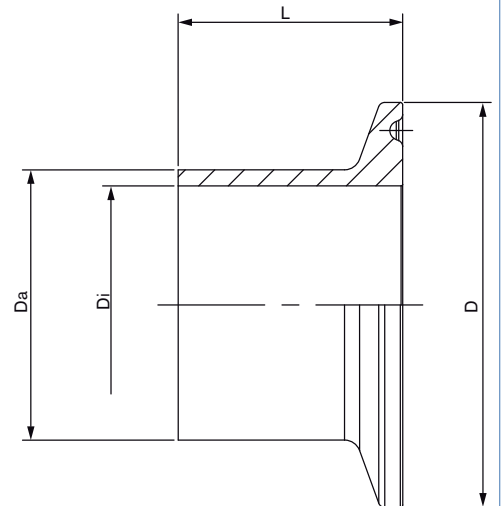


Dimensions [mm] Clamp ferrule

| Orifice | D [mm] | Da [mm] | Di [mm] | L [mm] | Item no. | |
|--|--------|---------|---------|--------|------------------------|-----------|
| SMS Dimensions Clamp ferrule (up to clamp diameter DM 25) | | | | | | |
| DN06 | 25.00 | 8.00 | 6.00 | 28.00 | BBS-25-A1.A06.A00.35.0 | (742 809) |
| DN06 | 25.00 | 8.00 | 6.00 | 21.60 | BBS-25-A0.A06.A00.35.0 | (736 843) |
| DN08 | 25.00 | 10.00 | 8.00 | 28.00 | BBS-25-A1.A08.A00.35.0 | (736 976) |
| DN08 | 25.00 | 10.00 | 8.00 | 21.60 | BBS-25-A0.A08.A00.35.0 | (736 847) |
| DN10 | 25.00 | 12.00 | 10.00 | 28.00 | BBS-25-A1.A10.A00.35.0 | (736 983) |
| DN10 | 25.00 | 12.00 | 10.00 | 21.60 | BBS-25-A0.A10.A00.35.0 | (736 851) |

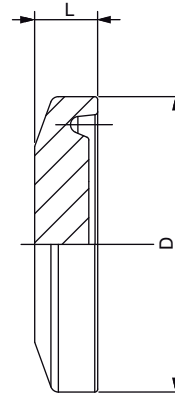


| Orifice | D [mm] | Da [mm] | Di [mm] | L [mm] | Item no. | |
|---|--------|---------|---------|--------|-------------------------|--------------|
| SMS Dimensions Clamp ferrule (from clamp diameter DM 50.5) | | | | | | |
| DN15 | 50.50 | 18.00 | 16.00 | 28.00 | BBS-25-A1.J15.J00.35.0 | (737 618) |
| DN15 | 50.50 | 18.00 | 16.00 | 21.60 | BBS-25-A0.J15.J00.35.0 | (on request) |
| DN20 | 50.50 | 22.00 | 20.00 | 28.00 | BBS-25.A1.J20.J00.35.0 | (737 626) |
| DN20 | 50.50 | 22.00 | 20.00 | 21.60 | BBS-25.A0.J20.J00.35.0 | (on request) |
| DN25 | 50.50 | 25.00 | 22.60 | 28.00 | BBS-25.A1.J25.J00.35.0 | (737 635) |
| DN25 | 50.50 | 25.00 | 22.60 | 21.60 | BBS-25.A0.J25.J00.35.0 | (on request) |
| DN32 | 64.00 | 32.00 | 29.60 | 28.00 | BBS-25.A1.J32.J00.35.0 | (737 643) |
| DN32 | 64.00 | 32.00 | 29.60 | 21.60 | BBS-25.A0.J32.J00.35.0 | (on request) |
| DN40 | 64.00 | 38.00 | 35.60 | 28.00 | BBS-25.A1.J40.J00.35.0 | (737 651) |
| DN40 | 64.00 | 38.00 | 35.60 | 21.60 | BBS-25.A0.J40.J00.35.0 | (on request) |
| DN50 | 77.50 | 51.00 | 48.60 | 28.00 | BBS-25.A1.J50.J00.35.0 | (737 668) |
| DN50 | 77.50 | 51.00 | 48.60 | 21.60 | BBS-25.A0.J50.J00.35.0 | (on request) |
| DN65 | 91.00 | 63.50 | 60.30 | 28.00 | BBS-25.A1.J65.J00.35.0 | (737 676) |
| DN65 | 91.00 | 63.50 | 60.30 | 21.60 | BBS-25.A0.J65.J00.35.0 | (on request) |
| DN80 | 106.00 | 76.10 | 72.90 | 28.00 | BBS-25.A1.J80.J00.35.0 | (737 684) |
| DN80 | 106.00 | 76.10 | 72.90 | 21.60 | BBS-25.A0.J80.J00.35.0 | (on request) |
| DN100 | 119.00 | 101.60 | 97.60 | 28.00 | BBS-25.A1.J100.J00.35.0 | (on request) |
| DN100 | 119.00 | 101.60 | 97.60 | 21.60 | BBS-25.A0.J100.J00.35.0 | (on request) |

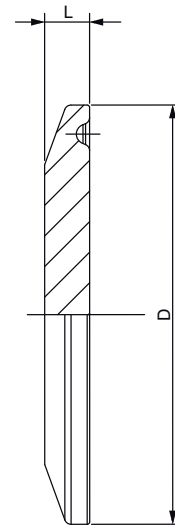


Dimensions [mm] Clamp ferrule blind cover

| Orifice | D [mm] | L [mm] | Item no. | |
|--|--------|--------|------------------------|-----------|
| ISO Dimensions Clamp ferrule blind cover (up to clamp diameter DM 25) | | | | |
| DN08 | 25.00 | 6.70 | BBS-25-G0.B08.B00.35.0 | (738 019) |
| DN10 | 25.00 | 6.70 | BBS-25-G0.B08.B00.35.0 | (738 019) |

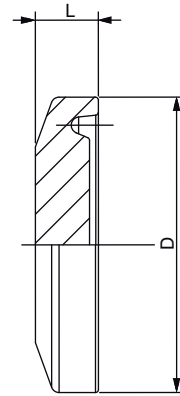


| Orifice | D [mm] | L [mm] | Item no. | |
|---|--------|--------|-------------------------|-----------|
| ISO Dimensions Clamp ferrule (from clamp diameter DM 50.5) | | | | |
| DN15 | 50.50 | 6.50 | BBS-25-G0.B25.B00.35.0 | (738 052) |
| DN20 | 50.50 | 6.50 | BBS-25-G0.B25.B00.35.0 | (738 052) |
| DN25 | 50.50 | 6.50 | BBS-25-G0.B25.B00.35.0 | (738 052) |
| DN32 | 64.00 | 6.50 | BBS-25.G0.B40.B00.35.0 | (738 064) |
| DN40 | 64.00 | 6.50 | BBS-25.G0.B40.B00.35.0 | (738 064) |
| DN50 | 77.50 | 6.50 | BBS-25.G0.B50.B00.35.0 | (738 068) |
| DN65 | 91.00 | 6.50 | BBS-25.G0.B65.B00.35.0 | (738 072) |
| DN80 | 106.00 | 6.50 | BBS-25.G0.B80.B00.35.0 | (737 072) |
| DN100 | 130.00 | 12.00 | BBS-25.G0.B100.B00.35.0 | (738 027) |
| DN150 | 183.00 | 12.00 | BBS-25.G0.B150.B00.35.0 | (738 035) |

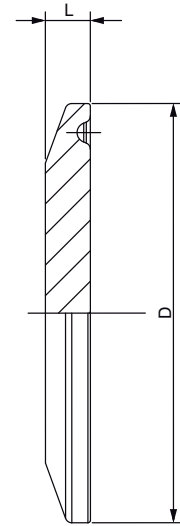


Dimensions [mm] Clamp ferrule blind cover

| Orifice | D [mm] | L [mm] | Item no. | |
|--|--------|--------|------------------------|-----------|
| DIN Dimensions Clamp ferrule blind cover (up to clamp diameter DM 25) | | | | |
| DN04 | 25.00 | 6.70 | BBS-25-G0.B08.B00.35.0 | (738 019) |
| DN06 | 25.00 | 6.70 | BBS-25-G0.B08.B00.35.0 | (738 019) |
| DN08 | 25.00 | 6.70 | BBS-25-G0.B08.B00.35.0 | (738 019) |
| DN10 | 25.00 | 6.70 | BBS-25-G0.B08.B00.35.0 | (738 019) |
| DN15 | 25.00 | 6.70 | BBS-25-G0.B08.B00.35.0 | (738 019) |



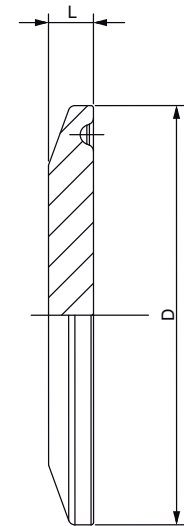
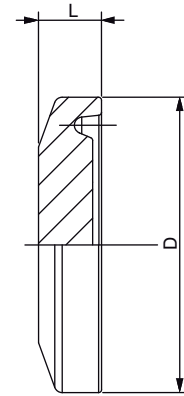
| Orifice | D [mm] | L [mm] | Item no. | |
|---|--------|--------|-------------------------|-----------|
| DIN Dimensions Clamp ferrule (from clamp diameter DM 34) | | | | |
| DN10 | 34.00 | 5.00 | BBS-25-G0.B10.B00.35.0 | (738 023) |
| DN15 | 34.00 | 5.00 | BBS-25-G0.B10.B00.35.0 | (738 023) |
| DN15 | 50.50 | 6.50 | BBS-25-G0.B25.B00.35.0 | (738 052) |
| DN20 | 34.00 | 5.00 | BBS-25-G0.B10.B00.35.0 | (738 023) |
| DN20 | 50.50 | 6.50 | BBS-25-G0.B25.B00.35.0 | (738 052) |
| DN25 | 50.50 | 6.50 | BBS-25-G0.B25.B00.35.0 | (738 052) |
| DN32 | 50.50 | 6.50 | BBS-25-G0.B25.B00.35.0 | (738 052) |
| DN40 | 50.50 | 6.50 | BBS-25-G0.B25.B00.35.0 | (738 052) |
| DN50 | 64.00 | 6.50 | BBS-25.G0.B40.B00.35.0 | (738 064) |
| DN65 | 91.00 | 6.50 | BBS-25.G0.B65.B00.35.0 | (738 072) |
| DN80 | 106.00 | 6.50 | BBS-25.G0.B80.B00.35.0 | (737 072) |
| DN100 | 119.00 | 10.00 | BBS-25.G0.C40.C00.35.0 | (738 104) |
| DN150 | 183.00 | 12.00 | BBS-25.G0.B150.B00.35.0 | (738 035) |



Dimensions [mm] Clamp ferrule blind cover

| Orifice | D [mm] | L [mm] | Item no. | |
|--|--------|--------|------------------------|-----------|
| BS-OD Dimensions Clamp ferrule blind cover (up to clamp diameter DM 25) | | | | |
| DN1/4" | 25.00 | 6.70 | BBS-25-G0.B08.B00.35.0 | (738 019) |
| DN3/8" | 25.00 | 6.70 | BBS-25-G0.B08.B00.35.0 | (738 019) |
| DN1/2" | 25.00 | 6.70 | BBS-25-G0.B08.B00.35.0 | (738 019) |
| DN3/4" | 25.00 | 6.70 | BBS-25-G0.B08.B00.35.0 | (738 019) |

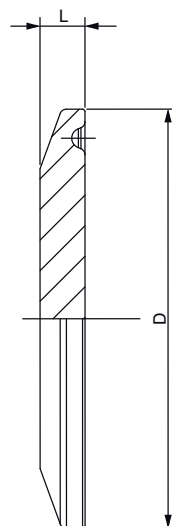
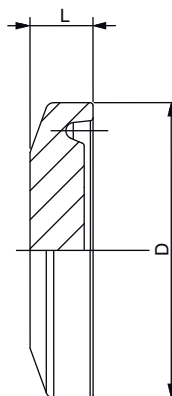
| Orifice | D [mm] | L [mm] | Item no. | |
|---|--------|--------|------------------------|--------------|
| BS-OD Dimensions Clamp ferrule (from clamp diameter DM 50.5) | | | | |
| DN1" | 50.50 | 6.50 | BBS-25-G0.B25.B00.35.0 | (738 052) |
| DN1 1/2" | 50.50 | 6.50 | BBS-25-G0.B25.B00.35.0 | (738 052) |
| DN2" | 64.00 | 6.50 | BBS-25.G0.B40.B00.35.0 | (738 064) |
| DN2 1/2" | 77.50 | 6.50 | BBS-25.G0.B50.B00.35.0 | (738 068) |
| DN3" | 91.00 | 6.50 | BBS-25.G0.B65.B00.35.0 | (738 072) |
| DN4" | 119.00 | 10.00 | BBS-25.G0.C40.C00.35.0 | (738 104) |
| DN6" | 167.00 | 11.00 | BBS-25.G0.C60.C00.35.0 | (738 108) |
| DN8" | 217.50 | 14.00 | BBS-25.G0.C80.B00.35.0 | (on request) |



Dimensions [mm] Clamp ferrule blind cover

| Orifice | D [mm] | L [mm] | Item no. | |
|--|--------|--------|------------------------|-----------|
| SMS Dimensions Clamp ferrule blind cover (up to clamp diameter DM 25) | | | | |
| DN06 | 25.00 | 6.70 | BBS-25-G0.B08.B00.35.0 | (738 019) |
| DN08 | 25.00 | 6.70 | BBS-25-G0.B08.B00.35.0 | (738 019) |
| DN10 | 25.00 | 6.70 | BBS-25-G0.B08.B00.35.0 | (738 019) |

| Orifice | D [mm] | L [mm] | Item no. | |
|---|--------|--------|------------------------|-----------|
| SMS Dimensions Clamp ferrule (from clamp diameter DM 50.5) | | | | |
| DN15 | 50.50 | 6.50 | BBS-25-G0.B25.B00.35.0 | (738 052) |
| DN20 | 50.50 | 6.50 | BBS-25-G0.B25.B00.35.0 | (738 052) |
| DN25 | 50.50 | 6.50 | BBS-25-G0.B25.B00.35.0 | (738 052) |
| DN32 | 64.00 | 6.50 | BBS-25.G0.B40.B00.35.0 | (738 064) |
| DN40 | 64.00 | 6.50 | BBS-25.G0.B40.B00.35.0 | (738 064) |
| DN50 | 77.50 | 6.50 | BBS-25.G0.B50.B00.35.0 | (738 068) |
| DN65 | 91.00 | 6.50 | BBS-25.G0.B65.B00.35.0 | (738 072) |
| DN80 | 106.00 | 6.50 | BBS-25.G0.B80.B00.35.0 | (737 072) |
| DN100 | 119.00 | 10.00 | BBS-25.G0.C40.C00.35.0 | (738 104) |

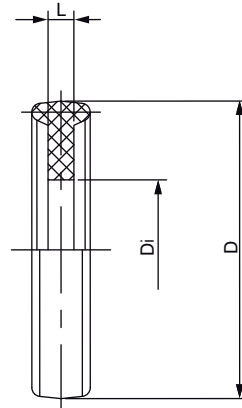


DTS 1000175512 EN Version: - Status: RL (released | freigegeben | validé) printed: 29.08.2013

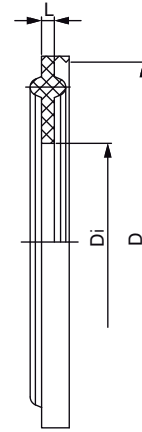
Представительство «Burkert» – ООО «ЭФ-СИ-ЭС Урал» г.Челябинск
 Адрес: ул. Неглинная д. 43, офис 13
 Телефон: 8 (351) 22-354-11, 8 (351) 725-92-07
 Факс: 8 (351) 22-529-13
 E-mail: info@fcs-ural.ru



Dimensions [mm] Clamp gaskets



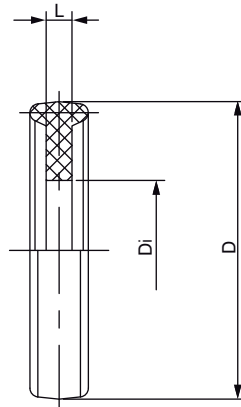
(up to clamp diameter DM 25)



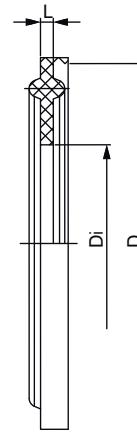
(from clamp diameter DM 34)

| Orifice | D [mm] | Di [mm] | L (+/-0.2) | Item no. EPDM | | Item no. PTFE | |
|--|--------|---------|------------|-------------------------|--------------|-------------------------|--------------|
| ISO Dimensions Clamp gaskets (up to clamp diameter DM 25) | | | | | | | |
| DN08 | 22.00 | 10.30 | 2.00 | BBS-02-01.B08.25.EP.0 | (730 049) | BBS-02-01.B08.25.FE.3 | (730 050) |
| DN10 | 22.00 | 14.00 | 2.00 | BBS-02-01.B10.25.EP.0 | (730 069) | BBS-02-01.B10.25.FE.3 | (730 071) |
| ISO Dimensions Clamp gaskets (from clamp diameter DM 34) | | | | | | | |
| DN08 | 34.00 | 10.30 | 2.00 | BBS-02-01.B08.34.EP.0 | (on request) | BBS-02-01.B08.34.FE.3 | (on request) |
| DN08 | 50.50 | 10.30 | 2.00 | BBS-02-01.B08.50.EP.0 | (730 065) | BBS-02-01.B08.50.FE.3 | (730 067) |
| DN10 | 34.00 | 14.00 | 2.00 | BBS-02-01.B10.34.EP.0 | (730 081) | BBS-02-01.B10.34.FE.3 | (on request) |
| DN10 | 50.50 | 14.00 | 2.00 | BBS-02-01.B10.50.EP.0 | (730 086) | BBS-02-01.B10.50.FE.3 | (730 088) |
| DN15 | 34.00 | 18.10 | 2.00 | BBS-02-01.B15.34.EP.0 | (730 107) | BBS-02-01.B15.34.FE.3 | (on request) |
| DN15 | 50.50 | 18.10 | 2.00 | BBS-02-01.B15.50.EP.0 | (730 112) | BBS-02-01.B15.50.FE.3 | (730 114) |
| DN20 | 50.50 | 23.70 | 2.00 | BBS-02-01.B20.50.EP.0 | (730 134) | BBS-02-01.B20.50.FE.3 | (730 136) |
| DN25 | 50.50 | 29.70 | 2.00 | BBS-02-01.B25.50.EP.0 | (730 155) | BBS-02-01.B25.50.FE.3 | (730 157) |
| DN32 | 64.00 | 38.40 | 2.00 | BBS-02-01.B32.64.EP.0 | (730 169) | BBS-02-01.B32.64.FE.3 | (730 171) |
| DN40 | 64.00 | 44.30 | 2.00 | BBS-02-01.B40.64.EP.0 | (730 181) | BBS-02-01.B40.64.FE.3 | (730 183) |
| DN50 | 77.50 | 56.30 | 2.00 | BBS-02-01.B50.77.EP.0 | (730 194) | BBS-02-01.B50.77.FE.3 | (730 196) |
| DN65 | 91.00 | 72.10 | 2.00 | BBS-02-01.B65.91.EP.0 | (730 206) | BBS-02-01.B65.91.FE.3 | (730 208) |
| DN80 | 106.00 | 84.30 | 2.00 | BBS-02-01.B80.106.EP.0 | (730 218) | BBS-02-01.B80.106.FE.3 | (730 220) |
| DN100 | 130.00 | 84.30 | 2.00 | BBS-02-01.B100.130.EP.0 | (730 094) | BBS-02-01.B100.130.FE.3 | (730 096) |
| DN150 | 183.00 | 163.10 | 30.00 | BBS-02-01.B150.182.EP.0 | (730 126) | BBS-02-01.B150.182.FE.3 | (730 128) |
| DIN Dimensions Clamp gaskets (up to clamp diameter DM 25) | | | | | | | |
| DN04 | 22.00 | 4.00 | 2.00 | BBS-02-01.A04.25.EP.0 | (730 027) | BBS-02-01.A04.25.FE.3 | (730 028) |
| DN06 | 22.00 | 6.00 | 2.00 | BBS-02-01.A06.25.EP.0 | (730 031) | BBS-02-01.A06.25.FE.3 | (730 032) |
| DN08 | 22.00 | 8.00 | 2.00 | BBS-02-01.A08.25.EP.0 | (730 035) | BBS-02-01.A08.25.FE.3 | (730 036) |
| DN10 | 22.00 | 10.00 | 2.00 | BBS-02-01.A10.25.EP.0 | (730 041) | BBS-02-01.A10.25.FE.3 | (730 042) |
| DN15 | 22.00 | 10.00 | 2.00 | BBS-02-01.A15.25.EP.0 | (on request) | BBS-02-01.A15.25.FE.3 | (on request) |
| DIN Dimensions Clamp gaskets (from clamp diameter DM 34) | | | | | | | |
| DN10 | 34.00 | 10.00 | 2.00 | BBS-02-01.A10.34.EP.0 | (on request) | BBS-02-01.A10.34.FE.3 | (on request) |
| DN15 | 34.00 | 16.00 | 2.00 | BBS-02-01.A15.34.EP.0 | (on request) | BBS-02-01.A15.34.FE.3 | (743 970) |
| DN20 | 34.00 | 20.00 | 2.00 | BBS-02-01.D20.34.EP.0 | (on request) | BBS-02-01.D20.34.FE.3 | (on request) |
| DN20 | 50.50 | 20.00 | 2.00 | BBS-02-01.D20.50.EP.0 | (730 472) | BBS-02-01.D20.50.FE.3 | (730 474) |
| DN25 | 50.50 | 26.00 | 2.00 | BBS-02-01.D25.50.EP.0 | (730 505) | BBS-02-01.D25.50.FE.3 | (730 507) |
| DN32 | 50.50 | 32.00 | 2.00 | BBS-02-01.D32.50.EP.0 | (730 556) | BBS-02-01.D32.50.FE.3 | (730 558) |
| DN32 | 64.00 | 32.00 | 2.00 | BBS-02-01.D32.64.EP.0 | (730 564) | BBS-02-01.D32.64.FE.3 | (730 566) |
| DN40 | 50.50 | 38.00 | 2.00 | BBS-02-01.D40.50.EP.0 | (730 581) | BBS-02-01.D40.50.FE.3 | (730 583) |
| DN50 | 64.00 | 50.00 | 2.00 | BBS-02-01.D50.64.EP.0 | (730 614) | BBS-02-01.D50.64.FE.3 | (730 616) |
| DN65 | 91.00 | 66.00 | 2.00 | BBS-02-01.D65.91.EP.0 | (730 663) | BBS-02-01.D65.91.FE.3 | (730 665) |
| DN80 | 106.00 | 81.00 | 2.00 | BBS-02-01.D80.106.EP.0 | (730 686) | BBS-02-01.D80.106.FE.3 | (730 688) |
| DN100 | 119.00 | 100.00 | 2.00 | BBS-02-01.D100.119.EP.0 | (730 397) | BBS-02-01.D100.119.FE.3 | (730 400) |
| DN125 | 155.00 | 125.00 | 2.00 | BBS-02-01.D125.155.EP.0 | (730 410) | BBS-02-01.D125.155.FE.3 | (on request) |
| DN150 | 183.00 | 150.00 | 2.00 | BBS-02-01.D150.183.EP.0 | (730 452) | BBS-02-01.D150.183.FE.3 | (on request) |

Dimensions [mm] Clamp gaskets



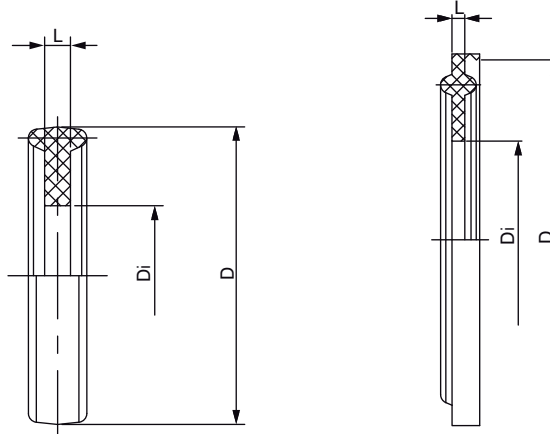
(up to clamp diameter DM 25)



(from clamp diameter DM 34)

| Orifice | D [mm] | Di [mm] | L (+/-0.2) | Item no. PTFE/EPDM core | | Item no. Silicone | |
|--|--------|---------|------------|-------------------------|--------------|-------------------------|--------------|
| ISO Dimensions Clamp gaskets (up to clamp diameter DM 25) | | | | | | | |
| DN08 | 22.00 | 10.30 | 2.00 | BBS-02-01.B08.25.FU.3 | (730 053) | BBS-02-01.B08.25.SI.1 | (730 059) |
| DN10 | 22.00 | 14.00 | 2.00 | BBS-02-01.B10.25.FU.3 | (730 073) | BBS-02-01.B10.25.SI.1 | (730 077) |
| ISO Dimensions Clamp gaskets (from clamp diameter DM 34) | | | | | | | |
| DN08 | 34.00 | 10.30 | 2.00 | BBS-02-01.B08.34.FU.3 | (730 063) | BBS-02-01.B08.34.SI.1 | (on request) |
| DN08 | 50.50 | 10.30 | 2.00 | BBS-02-01.B08.50.FU.3 | (743 487) | BBS-02-01.B08.50.SI.1 | (on request) |
| DN10 | 34.00 | 14.00 | 2.00 | BBS-02-01.B10.34.FU.3 | (743 488) | BBS-02-01.B10.34.SI.1 | (730 084) |
| DN10 | 50.50 | 14.00 | 2.00 | BBS-02-01.B10.50.FU.3 | (730 073) | BBS-02-01.B10.50.SI.1 | (730 092) |
| DN15 | 34.00 | 18.10 | 2.00 | BBS-02-01.B15.34.FU.3 | (730 109) | BBS-02-01.B15.34.SI.1 | (on request) |
| DN15 | 50.50 | 18.10 | 2.00 | BBS-02-01.B15.50.FU.3 | (730 116) | BBS-02-01.B15.50.SI.1 | (730 122) |
| DN20 | 50.50 | 23.70 | 2.00 | BBS-02-01.B20.50.FU.3 | (730 138) | BBS-02-01.B20.50.SI.1 | (730 142) |
| DN25 | 50.50 | 29.70 | 2.00 | BBS-02-01.B25.50.FU.3 | (730 159) | BBS-02-01.B25.50.SI.1 | (730 163) |
| DN32 | 64.00 | 38.40 | 2.00 | BBS-02-01.B32.64.FU.3 | (730 173) | BBS-02-01.B32.64.SI.1 | (730 177) |
| DN40 | 64.00 | 44.30 | 2.00 | BBS-02-01.B40.64.FU.3 | (730 185) | BBS-02-01.B40.64.SI.1 | (730 190) |
| DN50 | 77.50 | 56.30 | 2.00 | BBS-02-01.B50.77.FU.3 | (730 198) | BBS-02-01.B50.77.SI.1 | (730 202) |
| DN65 | 91.00 | 72.10 | 2.00 | BBS-02-01.B65.91.FU.3 | (730 210) | BBS-02-01.B65.91.SI.1 | (730 214) |
| DN80 | 106.00 | 84.30 | 2.00 | BBS-02-01.B80.106.FU.3 | (730 222) | BBS-02-01.B80.106.SI.1 | (730 227) |
| DN100 | 130.00 | 84.30 | 2.00 | BBS-02-01.B100.130.FU.3 | (730 098) | BBS-02-01.B100.130.SI.1 | (730 101) |
| DN150 | 183.00 | 163.10 | 30.00 | BBS-02-01.B150.182.FU.3 | (730 128) | BBS-02-01.B150.182.SI.1 | (730 130) |
| DIN Dimensions Clamp gaskets (up to clamp diameter DM 25) | | | | | | | |
| DN04 | 22.00 | 4.00 | 2.00 | BBS-02-01.A04.25.FU.3 | (on request) | BBS-02-01.A04.25.SI.1 | (730 029) |
| DN06 | 22.00 | 6.00 | 2.00 | BBS-02-01.A06.25.FU.3 | (on request) | BBS-02-01.A06.25.SI.1 | (730 033) |
| DN08 | 22.00 | 8.00 | 2.00 | BBS-02-01.A08.25.FU.3 | (on request) | BBS-02-01.A08.25.SI.1 | (730 037) |
| DN10 | 22.00 | 10.00 | 2.00 | BBS-02-01.A10.25.FU.3 | (on request) | BBS-02-01.A10.25.SI.1 | (730 043) |
| DN15 | 22.00 | 10.00 | 2.00 | BBS-02-01.A15.25.FU.3 | (on request) | BBS-02-01.A15.25.SI.1 | (on request) |
| DIN Dimensions Clamp gaskets (from clamp diameter DM 34) | | | | | | | |
| DN10 | 34.00 | 10.00 | 2.00 | BBS-02-01.A10.34.FU.3 | (on request) | BBS-02-01.A10.34.SI.1 | (on request) |
| DN15 | 34.00 | 16.00 | 2.00 | BBS-02-01.A15.34.FU.3 | (730 046) | BBS-02-01.A15.34.SI.1 | (on request) |
| DN20 | 34.00 | 20.00 | 2.00 | BBS-02-01.D20.34.FU.3 | (742 985) | BBS-02-01.D20.34.SI.1 | (on request) |
| DN20 | 50.50 | 20.00 | 2.00 | BBS-02-01.D20.50.FU.3 | (on request) | BBS-02-01.D20.50.SI.1 | (730 476) |
| DN25 | 50.50 | 26.00 | 2.00 | BBS-02-01.D25.50.FU.3 | (730 509) | BBS-02-01.D25.50.SI.1 | (730 511) |
| DN32 | 50.50 | 32.00 | 2.00 | BBS-02-01.D32.50.FU.3 | (on request) | BBS-02-01.D32.50.SI.1 | (730 560) |
| DN32 | 64.00 | 32.00 | 2.00 | BBS-02-01.D32.64.FU.3 | (on request) | BBS-02-01.D32.64.SI.1 | (on request) |
| DN40 | 50.50 | 38.00 | 2.00 | BBS-02-01.D40.50.FU.3 | (730 585) | BBS-02-01.D40.50.SI.1 | (730 587) |
| DN50 | 64.00 | 50.00 | 2.00 | BBS-02-01.D50.64.FU.3 | (730 618) | BBS-02-01.D50.64.SI.1 | (730 620) |
| DN65 | 91.00 | 66.00 | 2.00 | BBS-02-01.D65.91.FU.3 | (on request) | BBS-02-01.D65.91.SI.1 | (730 667) |
| DN80 | 106.00 | 81.00 | 2.00 | BBS-02-01.D80.106.FU.3 | (on request) | BBS-02-01.D80.106.SI.1 | (on request) |
| DN100 | 119.00 | 100.00 | 2.00 | BBS-02-01.D100.119.FU.3 | (on request) | BBS-02-01.D100.119.SI.1 | (730 404) |
| DN125 | 155.00 | 125.00 | 2.00 | BBS-02-01.D125.155.FU.3 | (on request) | BBS-02-01.D125.155.SI.1 | (on request) |
| DN150 | 183.00 | 150.00 | 2.00 | BBS-02-01.D150.183.FU.3 | (on request) | BBS-02-01.D150.183.SI.1 | (on request) |

Dimensions [mm] Clamp gaskets

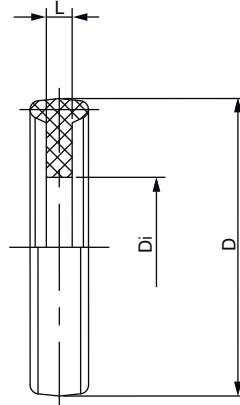


(up to clamp diameter DM 25)

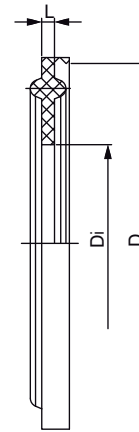
(from clamp diameter DM 34)

| Orifice | D [mm] | Di [mm] | L (+/-0.2) | Item no. FKM | |
|--|--------|---------|------------|--------------------------|--------------|
| ISO Dimensions Clamp gaskets (up to clamp diameter DM 25) | | | | | |
| DN08 | 22.00 | 10.30 | 2.00 | BBS-02-01.B08.25.V1.2 | (730 061) |
| DN10 | 22.00 | 14.00 | 2.00 | BBS-02-01.B10.25.V1.2 | (730 079) |
| ISO Dimensions Clamp gaskets (from clamp diameter DM 34) | | | | | |
| DN08 | 34.00 | 10.30 | 2.00 | BBS-02-01.B08.34.V1.2 | (on request) |
| DN08 | 50.50 | 10.30 | 2.00 | BBS-02-01.B08.50.V1.2 | (on request) |
| DN10 | 34.00 | 14.00 | 2.00 | BBS-02-01.B10.34.V1.2 | (on request) |
| DN10 | 50.50 | 14.00 | 2.00 | BBS-02-01.B10.50.V1.2 | (on request) |
| DN15 | 34.00 | 18.10 | 2.00 | BBS-02-01.B15.34.V1.2 | (on request) |
| DN15 | 50.50 | 18.10 | 2.00 | BBS-02-01.B15.50.V1.2 | (730 124) |
| DN20 | 50.50 | 23.70 | 2.00 | BBS-02-01.B20.50.V1.2 | (730 144) |
| DN25 | 50.50 | 29.70 | 2.00 | BBS-02-01.B25.50.V1.2 | (730 165) |
| DN32 | 64.00 | 38.40 | 2.00 | BBS-02-01.B32.64.V1.2 | (730 179) |
| DN40 | 64.00 | 44.30 | 2.00 | BBS-02-01.B40.64.V1.2 | (730 192) |
| DN50 | 77.50 | 56.30 | 2.00 | BBS-02-01.B50.77.V1.2 | (730 204) |
| DN65 | 91.00 | 72.10 | 2.00 | BBS-02-01.B65.91.V1.2 | (730 216) |
| DN80 | 106.00 | 84.30 | 2.00 | BBS-02-01.B80.106.V1.2 | (730 229) |
| DN100 | 130.00 | 84.30 | 2.00 | BBS-02-01.B100.130.V1.2 | (on request) |
| DN150 | 183.00 | 163.10 | 30.00 | BBS-02-01.B150.182.V1.2 | (on request) |
| DIN Dimensions Clamp gaskets (up to clamp diameter DM 25) | | | | | |
| DN04 | 22.00 | 4.00 | 2.00 | BBS-02-01.A04.25.V1.2 | (730 030) |
| DN06 | 22.00 | 6.00 | 2.00 | BBS-02-01.A06.25.V1.2 | (730 034) |
| DN08 | 22.00 | 8.00 | 2.00 | BBS-02-01.A08.25.V1.2 | (730 038) |
| DN10 | 22.00 | 10.00 | 2.00 | BBS-02-01.A10.25.V1.2 | (730 044) |
| DN15 | 22.00 | 10.00 | 2.00 | BBS-02-01.A15.25.V1.2 | (on request) |
| DIN Dimensions Clamp gaskets (from clamp diameter DM 34) | | | | | |
| DN10 | 34.00 | 10.00 | 2.00 | BBS-02-01.A10.34.V1.2 | (on request) |
| DN15 | 34.00 | 16.00 | 2.00 | BBS-02-01.A15.34.V1.2 | (on request) |
| DN20 | 34.00 | 20.00 | 2.00 | BBS-02-01.D20.34.V1.2 | (on request) |
| DN20 | 50.50 | 20.00 | 2.00 | BBS-02-01.D20.50.V1.2 | (730 478) |
| DN25 | 50.50 | 26.00 | 2.00 | BBS-02-01.D25.50.V1.2 | (730 513) |
| DN32 | 50.50 | 32.00 | 2.00 | BBS-02-01.D32.50.V1.2 | (730 562) |
| DN32 | 64.00 | 32.00 | 2.00 | BBS-02-01.D32.64.V1.2 | (on request) |
| DN40 | 50.50 | 38.00 | 2.00 | BBS-02-01.D40.50.V1.2 | (730 589) |
| DN50 | 64.00 | 50.00 | 2.00 | BBS-02-01.D50.64.V1.2 | (730 622) |
| DN65 | 91.00 | 66.00 | 2.00 | BBS-02-01.D65.91.V1.2 | (730 669) |
| DN80 | 106.00 | 81.00 | 2.00 | BBS-02-01.D80.106.V1.2 | (730 690) |
| DN100 | 119.00 | 100.00 | 2.00 | BBS-02-01.D100.119.V1.2 | (on request) |
| DN125 | 155.00 | 125.00 | 2.00 | BBS-02-01.D125.155.V1.2 | (on request) |
| DN150 | 183.00 | 150.00 | 2.00 | BBS-02-01.D1150.183.V1.2 | (730 453) |

Dimensions [mm] Clamp gaskets



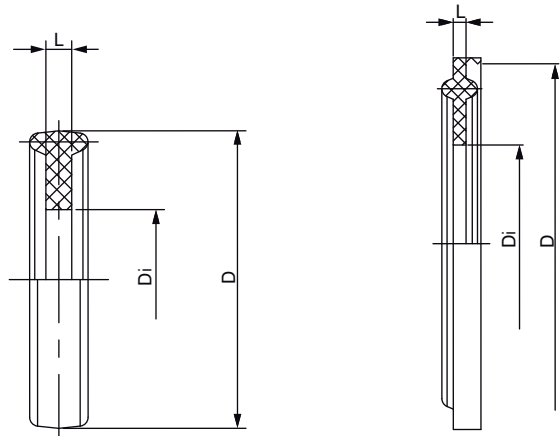
(up to clamp diameter DM 25)



(from clamp diameter DM 34)

| Orifice | D [mm] | Di [mm] | L (+/-0.2) | Item no. EPDM | | Item no. PTFE | |
|---|--------|---------|------------|-------------------------|--------------|-------------------------|--------------|
| BS-OD Dimensions Clamp gaskets (up to clamp diameter DM 25) | | | | | | | |
| DN1/4" | 22.00 | 4.57 | 2.00 | BBS-02-01.C02.25.EP.0 | (730 231) | BBS-02-01.C02.25.FE.3 | (730 233) |
| DN3/8" | 22.00 | 7.75 | 2.00 | BBS-02-01.C03.25.EP.0 | (730 239) | BBS-02-01.C03.25.FE.3 | (730 242) |
| DN1/2" | 22.00 | 9.40 | 2.00 | BBS-02-01.C05.25.EP.0 | (730 246) | BBS-02-01.C05.25.FE.3 | (730 248) |
| DN3/4" | 22.00 | 15.75 | 2.00 | BBS-02-01.C07.25.EP.0 | (730 256) | BBS-02-01.C07.25.FE.3 | (730 258) |
| BS-OD Dimensions Clamp gaskets (from clamp diameter DM 50.5) | | | | | | | |
| DN1" | 50.50 | 22.10 | 2.00 | BBS-02-01.C10.50.EP.0 | (730 264) | BBS-02-01.C10.50.FE.3 | (730 266) |
| DN1 1/2" | 50.50 | 34.80 | 2.00 | BBS-02-01.C15.50.EP.0 | (730 277) | BBS-02-01.C15.50.FE.3 | (730 279) |
| DN2" | 64.00 | 47.50 | 2.00 | BBS-02-01.C20.64.EP.0 | (730 289) | BBS-02-01.C20.64.FE.3 | (730 291) |
| DN2 1/2" | 77.50 | 60.20 | 2.00 | BBS-02-01.C25.77.EP.0 | (730 301) | BBS-02-01.C25.77.FE.3 | (730 303) |
| DN3" | 91.00 | 72.90 | 2.00 | BBS-02-01.C30.91.EP.0 | (730 311) | BBS-02-01.C30.91.FE.3 | (730 313) |
| DN4" | 119.00 | 97.40 | 2.00 | BBS-02-01.C40.119.EP.0 | (730 322) | BBS-02-01.C40.119.FE.3 | (730 324) |
| DN6" | 167.00 | 146.86 | 2.00 | BBS-02-01.C60.167.EP.0 | (730 332) | BBS-02-01.C60.167.FE.3 | (730 334) |
| DN8" | 217.50 | 197.67 | 2.00 | BBS-02-01.C80.217.EP.0 | (on request) | BBS-02-01.C80.217.FE.3 | (on request) |
| SMS Dimensions Clamp gaskets (up to clamp diameter DM 25) | | | | | | | |
| DN08 | 22.00 | 8.00 | 2.00 | BBS-02-01.A08.25.EP.0 | (730 035) | BBS-02-01.A08.25.FE.3 | (730 036) |
| DN10 | 22.00 | 10.00 | 2.00 | BBS-02-01.A10.25.EP.0 | (730 041) | BBS-02-01.A10.25.FE.3 | (730 042) |
| SMS Dimensions Clamp gaskets (from clamp diameter DM 50.5) | | | | | | | |
| DN15 | 50.50 | 16.00 | 2.00 | BBS-02-01.J15.50.EP.0 | (730 715) | BBS-02-01.J15.50.FE.3 | (730 717) |
| DN20 | 50.50 | 20.00 | 2.00 | BBS-02-01.J20.50.EP.0 | (730 721) | BBS-02-01.J20.50.FE.3 | (730 723) |
| DN25 | 50.50 | 22.60 | 2.00 | BBS-02-01.J25.00.EP.0 | (730 725) | BBS-02-01.J25.00.FE.3 | (730 727) |
| DN32 | 64.00 | 29.60 | 2.00 | BBS-02-01.J32.64.EP.0 | (730 729) | BBS-02-01.J32.64.FE.3 | (730 731) |
| DN40 | 64.00 | 35.60 | 2.00 | BBS-02-01.J40.64.EP.0 | (730 733) | BBS-02-01.J40.64.FE.3 | (730 735) |
| DN50 | 77.50 | 48.60 | 2.00 | BBS-02-01.J50.77.EP.0 | (730 737) | BBS-02-01.J50.77.FE.3 | (730 739) |
| DN65 | 91.00 | 60.30 | 2.00 | BBS-02-01.J65.91.EP.0 | (730 741) | BBS-02-01.J65.91.FE.3 | (730 743) |
| DN80 | 106.00 | 72.90 | 2.00 | BBS-02-01.J80.106.EP.0 | (730 745) | BBS-02-01.J80.106.FE.3 | (730 747) |
| DN100 | 119.00 | 97.60 | 2.00 | BBS-02-01.J100.119.EP.0 | (on request) | BBS-02-01.J100.119.FE.3 | (on request) |

Dimensions [mm] Clamp gaskets

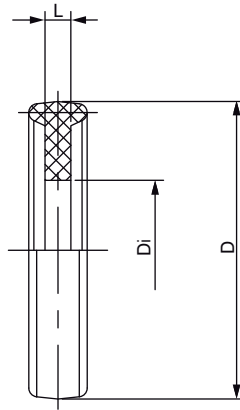


(up to clamp diameter DM 25)

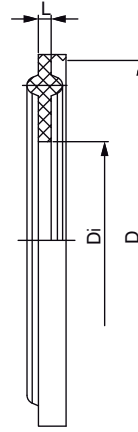
(from clamp diameter DM 34)

| Orifice | D [mm] | Di [mm] | L (+/-0.2) | Item no. PTFE/EPDM core | | Item no. Silicone | |
|---|--------|---------|------------|-------------------------|--------------|-------------------------|--------------|
| BS-OD Dimensions Clamp gaskets (up to clamp diameter DM 25) | | | | | | | |
| DN1/4" | 22.00 | 4.57 | 2.00 | BBS-02-01.C02.25.FU.3 | (on request) | BBS-02-01.C02.25.SI.1 | (730 235) |
| DN3/8" | 22.00 | 7.75 | 2.00 | BBS-02-01.C03.25.FU.3 | (on request) | BBS-02-01.C03.25.SI.1 | (730 244) |
| DN1/2" | 22.00 | 9.40 | 2.00 | BBS-02-01.C05.25.FU.3 | (on request) | BBS-02-01.C05.25.SI.1 | (730 252) |
| DN3/4" | 22.00 | 15.75 | 2.00 | BBS-02-01.C07.25.FU.3 | (on request) | BBS-02-01.C07.25.SI.1 | (730 260) |
| BS-OD Dimensions Clamp gaskets (from clamp diameter DM 50.5) | | | | | | | |
| DN1" | 50.50 | 22.10 | 2.00 | BBS-02-01.C10.50.FU.3 | (730 268) | BBS-02-01.C10.50.SI.1 | (730 273) |
| DN1 1/2" | 50.50 | 34.80 | 2.00 | BBS-02-01.C15.50.FU.3 | (730 281) | BBS-02-01.C15.50.SI.1 | (730 283) |
| DN2" | 64.00 | 47.50 | 2.00 | BBS-02-01.C20.64.FU.3 | (730 293) | BBS-02-01.C20.64.SI.1 | (730 297) |
| DN2 1/2" | 77.50 | 60.20 | 2.00 | BBS-02-01.C25.77.FU.3 | (730 305) | BBS-02-01.C25.77.SI.1 | (730 307) |
| DN3" | 91.00 | 72.90 | 2.00 | BBS-02-01.C30.91.FU.3 | (730 315) | BBS-02-01.C30.91.SI.1 | (730 317) |
| DN4" | 119.00 | 97.40 | 2.00 | BBS-02-01.C40.119.FU.3 | (730 326) | BBS-02-01.C40.119.SI.1 | (730 328) |
| DN6" | 167.00 | 146.86 | 2.00 | BBS-02-01.C60.167.FU.3 | (on request) | BBS-02-01.C60.167.SI.1 | (730 336) |
| DN8" | 217.50 | 197.67 | 2.00 | BBS-02-01.C80.217.FU.3 | (on request) | BBS-02-01.C80.217.SI.1 | (730 338) |
| SMS Dimensions Clamp gaskets (up to clamp diameter DM 25) | | | | | | | |
| DN08 | 22.00 | 8.00 | 2.00 | BBS-02-01.A08.25.FU.3 | (on request) | BBS-02-01.A08.25.SI.1 | (730 037) |
| DN10 | 22.00 | 10.00 | 2.00 | BBS-02-01.A10.25.FU.3 | (on request) | BBS-02-01.A10.25.SI.1 | (730 043) |
| SMS Dimensions Clamp gaskets (from clamp diameter DM 50.5) | | | | | | | |
| DN15 | 50.50 | 16.00 | 2.00 | BBS-02-01.J15.50.FU.3 | (on request) | BBS-02-01.J15.50.SI.1 | (on request) |
| DN20 | 50.50 | 20.00 | 2.00 | BBS-02-01.J20.50.FU.3 | (on request) | BBS-02-01.J20.50.SI.1 | (on request) |
| DN25 | 50.50 | 22.60 | 2.00 | BBS-02-01.J25.50.FU.3 | (on request) | BBS-02-01.J25.50.SI.1 | (on request) |
| DN32 | 64.00 | 29.60 | 2.00 | BBS-02-01.J32.64.FU.3 | (on request) | BBS-02-01.J32.64.SI.1 | (on request) |
| DN40 | 64.00 | 35.60 | 2.00 | BBS-02-01.J40.64.FU.3 | (on request) | BBS-02-01.J40.64.SI.1 | (on request) |
| DN50 | 77.50 | 48.60 | 2.00 | BBS-02-01.D65.91.FU.3 | (on request) | BBS-02-01.J50.77.SI.1 | (on request) |
| DN65 | 91.00 | 60.30 | 2.00 | BBS-02-01.J65.91.FU.3 | (on request) | BBS-02-01.J65.91.SI.1 | (on request) |
| DN80 | 106.00 | 72.90 | 2.00 | BBS-02-01.J80.106.FU.3 | (on request) | BBS-02-01.J80.106.SI.1 | (on request) |
| DN100 | 119.00 | 97.60 | 2.00 | BBS-02-01.J100.119.FU.3 | (on request) | BBS-02-01.J100.119.SI.1 | (on request) |

Dimensions [mm] Clamp gaskets



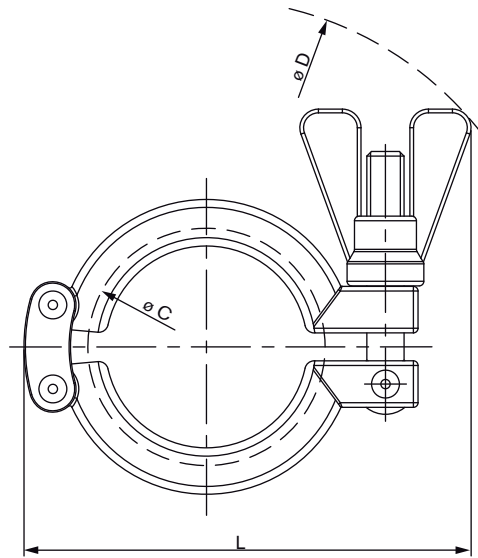
(up to clamp diameter DM 25)



(from clamp diameter DM 34)

| Orifice | D [mm] | Di [mm] | L (+/-0.2) | Item no. FKM | |
|---|--------|---------|------------|-------------------------|--------------|
| BS-OD Dimensions Clamp gaskets (up to clamp diameter DM 25) | | | | | |
| DN1/4" | 22.00 | 4.57 | 2.00 | BBS-02-01.C02.25.VI.2 | (730 237) |
| DN3/8" | 22.00 | 7.75 | 2.00 | BBS-02-01.C03.25.VI.2 | (on request) |
| DN1/2" | 22.00 | 9.40 | 2.00 | BBS-02-01.C05.25.VI.2 | (730 254) |
| DN3/4" | 22.00 | 15.75 | 2.00 | BBS-02-01.C07.25.VI.2 | (730 262) |
| BS-OD Dimensions Clamp gaskets (from clamp diameter DM 50.5) | | | | | |
| DN1" | 50.50 | 22.10 | 2.00 | BBS-02-01.C10.50.VI.2 | (730 275) |
| DN1 1/2" | 50.50 | 34.80 | 2.00 | BBS-02-01.C15.50.VI.2 | (730 285) |
| DN2" | 64.00 | 47.50 | 2.00 | BBS-02-01.C20.64.VI.2 | (730 299) |
| DN2 1/2" | 77.50 | 60.20 | 2.00 | BBS-02-01.C25.77.VI.2 | (730 309) |
| DN3" | 91.00 | 72.90 | 2.00 | BBS-02-01.C30.91.VI.2 | (730 319) |
| DN4" | 119.00 | 97.40 | 2.00 | BBS-02-01.C40.119.VI.2 | (730 330) |
| DN6" | 167.00 | 146.86 | 2.00 | BBS-02-01.C60.167.VI.2 | (on request) |
| DN8" | 217.50 | 197.67 | 2.00 | BBS-02-01.C80.217.VI.2 | (on request) |
| SMS Dimensions Clamp gaskets (up to clamp diameter DM 25) | | | | | |
| DN08 | 22.00 | 8.00 | 2.00 | BBS-02-01.A08.25.VI.2 | (730 038) |
| DN10 | 22.00 | 10.00 | 2.00 | BBS-02-01.A10.25.VI.2 | (730 044) |
| SMS Dimensions Clamp gaskets (from clamp diameter DM 50.5) | | | | | |
| DN15 | 50.50 | 16.00 | 2.00 | BBS-02-01.J15.50.VI.2 | (730 719) |
| DN20 | 50.50 | 20.00 | 2.00 | BBS-02-01.J20.50.VI.2 | (on request) |
| DN25 | 50.50 | 22.60 | 2.00 | BBS-02-01.J25.50.VI.2 | (on request) |
| DN32 | 64.00 | 29.60 | 2.00 | BBS-02-01.J32.64.VI.2 | (on request) |
| DN40 | 64.00 | 35.60 | 2.00 | BBS-02-01.J40.64.VI.2 | (on request) |
| DN50 | 77.50 | 48.60 | 2.00 | BBS-02-01.J50.77.VI.2 | (on request) |
| DN65 | 91.00 | 60.30 | 2.00 | BBS-02-01.J65.91.VI.2 | (730 690) |
| DN80 | 106.00 | 72.90 | 2.00 | BBS-02-01.J80.106.VI.2 | (on request) |
| DN100 | 119.00 | 97.60 | 2.00 | BBS-02-01.J100.119.VI.2 | (on request) |

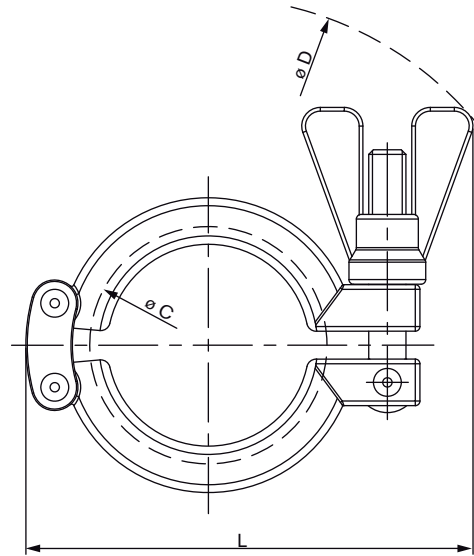
Dimensions [mm] Clamp



| Orifice | C [mm] | D [mm] | L [mm] | Max. operating pressure [bar] to 150°C | Item no. |
|-----------------------------|--------|--------|--------|--|-----------------------------------|
| ISO Dimensions Clamp | | | | | |
| DN08 | 25.00 | 130.00 | 64.00 | 50.00 | BBS-05-C7.U08.U00.01.0 (731 146) |
| DN10 | 25.00 | 130.00 | 64.00 | 50.00 | BBS-05-C7.U08.U00.01.0 (731 146) |
| DN15 | 50.50 | 154.00 | 93.00 | 50.00 | BBS-05-C7.U25.U00.01.0 (731 164) |
| DN20 | 50.50 | 154.00 | 93.00 | 50.00 | BBS-05-C7.U25.U00.01.0 (731 164) |
| DN25 | 50.50 | 154.00 | 93.00 | 50.00 | BBS-05-C7.U25.U00.01.0 (731 164) |
| DN32 | 64.00 | 180.00 | 108.00 | 50.00 | BBS-05-C7.U40.U00.01.0 (731 172) |
| DN40 | 64.00 | 180.00 | 108.00 | 50.00 | BBS-05-C7.U40.U00.01.0 (731 172) |
| DN50 | 77.50 | 200.00 | 125.00 | 50.00 | BBS-05-C7.U50.U00.01.0 (731 174) |
| DN65 | 91.00 | 105.00 | 139.00 | 40.00 | BBS-05-C7.U65.U00.01.0 (731 176) |
| DN80 | 106.00 | 116.00 | 144.00 | 40.00 | BBS-05-C7.U80.U00.01.0 (731 178) |
| DN100 | 130.00 | 240.00 | 173.00 | 30.00 | BBS-05-C7.U100.U01.01.0 (731 154) |
| DN150 | 183.00 | 356.00 | 275.00 | 25.00 | BBS-05-C7.U150.UTC.01.0 (731 160) |

| Orifice | C [mm] | D [mm] | L [mm] | Max. operating pressure [bar] to 150°C | Item no. |
|-----------------------------|--------|--------|--------|--|--------------------------------------|
| DIN Dimensions Clamp | | | | | |
| DN04 | 25.00 | 130.00 | 64.00 | 50.00 | BBS-05-C7.U08.U00.01.0 (731 146) |
| DN06 | 25.00 | 130.00 | 64.00 | 50.00 | BBS-05-C7.U08.U00.01.0 (731 146) |
| DN08 | 25.00 | 130.00 | 64.00 | 50.00 | BBS-05-C7.U08.U00.01.0 (731 146) |
| DN10 | 25.00 | 130.00 | 64.00 | 50.00 | BBS-05-C7.U08.U00.01.0 (731 146) |
| DN10 | 34.00 | 130.00 | 68.00 | 50.00 | BBS-05-C7.U10.U00.01.0 (731 150) |
| DN15 | 25.00 | 130.00 | 64.00 | 50.00 | BBS-05-C7.U08.U00.01.0 (731 146) |
| DN15 | 34.00 | 130.00 | 68.00 | 50.00 | BBS-05-C7.U10.U00.01.0 (731 150) |
| DN20 | 34.00 | 130.00 | 68.00 | 50.00 | BBS-05-C7.U10.U00.01.0 (731 150) |
| DN20 | 50.50 | 154.00 | 93.00 | 50.00 | BBS-05-C7.U25.U00.01.0 (731 164) |
| DN25 | 50.50 | 154.00 | 93.00 | 50.00 | BBS-05-C7.U25.U00.01.0 (731 164) |
| DN32 | 50.50 | 154.00 | 93.00 | 50.00 | BBS-05-C7.U25.U00.01.0 (731 164) |
| DN40 | 50.50 | 154.00 | 93.00 | 50.00 | BBS-05-C7.U25.U00.01.0 (731 164) |
| DN50 | 64.00 | 180.00 | 108.00 | 50.00 | BBS-05-C7.U40.U00.01.0 (731 172) |
| DN65 | 91.00 | 105.00 | 139.00 | 40.00 | BBS-05-C7.U65.U00.01.0 (731 176) |
| DN80 | 106.00 | 116.00 | 144.00 | 40.00 | BBS-05-C7.U80.U00.01.0 (731 178) |
| DN100 | 119.00 | 240.00 | 171.00 | 35.00 | BBS-05-C7.Q40.Q00.01.0 (731 144) |
| DN125 | 155.00 | 240.00 | 171.00 | 30.00 | BBS-05-C7.X125.X00.01.0 (on request) |
| DN150 | 183.00 | 356.00 | 275.00 | 25.00 | BBS-05-C7.U150.UTC.01.0 (731 160) |

Dimensions [mm] Clamp



| Orifice | C [mm] | D [mm] | L [mm] | Max. operating pressure [bar] to 150°C | Item no. |
|-------------------------------|--------|--------|--------|--|-----------------------------------|
| BS-OD Dimensions Clamp | | | | | |
| DN1/4" | 25.00 | 130.00 | 64.00 | 50.00 | BBS-05-C7.U08.U00.01.0 (731 146) |
| DN3/8" | 25.00 | 130.00 | 64.00 | 50.00 | BBS-05-C7.U08.U00.01.0 (731 146) |
| DN1/2" | 25.00 | 130.00 | 64.00 | 50.00 | BBS-05-C7.U08.U00.01.0 (731 146) |
| DN3/4" | 25.00 | 130.00 | 64.00 | 50.00 | BBS-05-C7.U08.U00.01.0 (731 146) |
| DN1" | 50.50 | 154.00 | 93.00 | 50.00 | BBS-05-C7.U25.U00.01.0 (731 164) |
| DN1 1/2" | 50.50 | 154.00 | 93.00 | 50.00 | BBS-05-C7.U25.U00.01.0 (731 164) |
| DN2" | 64.00 | 180.00 | 108.00 | 50.00 | BBS-05-C7.U40.U00.01.0 (731 172) |
| DN2 1/2" | 77.50 | 200.00 | 125.00 | 50.00 | BBS-05-C7.U50.U00.01.0 (731 174) |
| DN3" | 91.00 | 105.00 | 139.00 | 40.00 | BBS-05-C7.U65.U00.01.0 (731 176) |
| DN4" | 119.00 | 240.00 | 171.00 | 35.00 | BBS-05-C7.Q40.Q00.01.0 (731 144) |
| DN6" | 167.00 | 316.00 | 260.00 | 30.00 | BBS-05-C7.U100.U00.01.0 (731 154) |
| DN8" | 217.50 | 390.00 | 324.00 | 30.00 | BBS-05-C7.U100.U00.01.0 (731 154) |

| Orifice | C [mm] | D [mm] | L [mm] | Max. operating pressure [bar] to 150°C | Item no. |
|-----------------------------|--------|--------|--------|--|----------------------------------|
| SMS Dimensions Clamp | | | | | |
| DN04 | 25.00 | 130.00 | 64.00 | 50.00 | BBS-05-C7.U08.U00.01.0 (731 146) |
| DN06 | 25.00 | 130.00 | 64.00 | 50.00 | BBS-05-C7.U08.U00.01.0 (731 146) |
| DN08 | 25.00 | 130.00 | 64.00 | 50.00 | BBS-05-C7.U08.U00.01.0 (731 146) |
| DN10 | 25.00 | 130.00 | 64.00 | 50.00 | BBS-05-C7.U08.U00.01.0 (731 146) |
| DN15 | 50.50 | 154.00 | 93.00 | 50.00 | BBS-05-C7.U25.U00.01.0 (731 164) |
| DN20 | 50.50 | 154.00 | 93.00 | 50.00 | BBS-05-C7.U25.U00.01.0 (731 164) |
| DN25 | 50.50 | 154.00 | 93.00 | 50.00 | BBS-05-C7.U25.U00.01.0 (731 164) |
| DN32 | 64.00 | 180.00 | 108.00 | 50.00 | BBS-05-C7.U40.U00.01.0 (731 172) |
| DN40 | 64.00 | 180.00 | 108.00 | 50.00 | BBS-05-C7.U40.U00.01.0 (731 172) |
| DN50 | 77.50 | 200.00 | 125.00 | 50.00 | BBS-05-C7.U50.U00.01.0 (731 174) |
| DN65 | 91.00 | 105.00 | 139.00 | 40.00 | BBS-05-C7.U65.U00.01.0 (731 176) |
| DN80 | 106.00 | 116.00 | 144.00 | 40.00 | BBS-05-C7.U80.U00.01.0 (731 178) |
| DN100 | 119.00 | 240.00 | 171.00 | 35.00 | BBS-05-C7.Q40.Q00.01.0 (731 144) |

DTS 1000175512 EN Version: - Status: RL (released | freigegeben | valide) printed: 29.08.2013

Представительство «Bürkert» – ООО «ЭФ-СИ-ЭС Урал» г. Челябинск
 Адрес: ул. Неглиная д. 43, офис 13
 Телефон: 8 (351) 22-354-11, 8 (351) 725-92-07
 Факс: 8 (351) 22-529-13
 E-mail: info@fcs-ural.ru

